

TECHNICAL SPECIFICATION

Facade lighting –

GRF9617 LED



GRF9618 LED



GRF9619 LED



Technical data

- Rated voltage: 230V / 50-60Hz
- Power of the light source:
 - GRF9617 LED - 3x3W
 - GRF9618 LED - 3x3W
 - GRF9619 LED - 2x3W
- LED type: CREE LED
- Colour temperature: 4000-4300K
- Protection against dust and moisture : IP54
- Colour rendering index: Ra≥80
- LED driver: mounted in the body
- Average Lifetime: 30 000h
- Operating temperature: -20° ÷ + 65°C
- Case: aluminium
- Diffuser: tempered glass
- Body colour: dark grey
- Installation: surface mounting on a wall
- Surface requirements: Class F

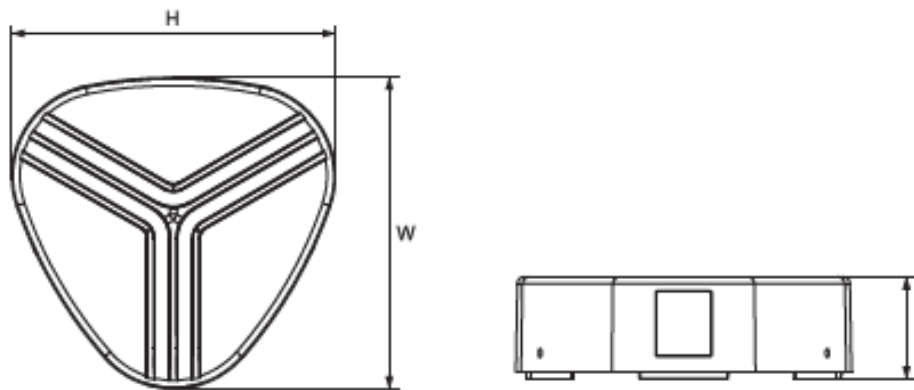
Areas of application

- Suitable for outdoor use
- Additional, aesthetic, directional, architectural lighting for buildings' facades, fences' columns and other outdoor sites

Product benefits

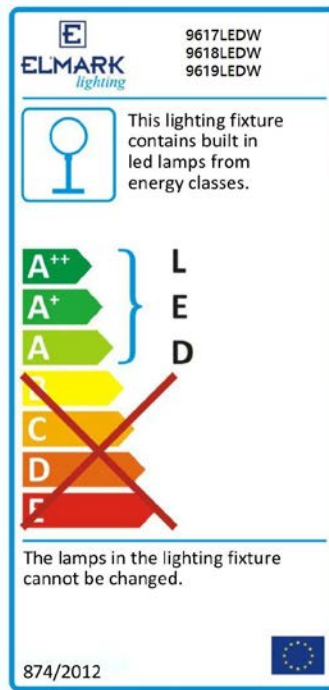
- Low power consumption
- Repeated switch on/off does not affect the lifespan
- Instant light with maximum luminous flux
- Environmentally friendly - no mercury and lead
- No ultraviolet and infrared rays
- Resistant to shock and vibration-free body
- Low heat emission

Variants and dimensions



Watt	LED chip lumens (lm)	Whole fixture lumens (lm)	Colour temp. (K)	Colour body	Size			Catalogue number	Packing (pcs)
					L	W	H		
3x3W	600	480	4000-4300	dark grey	44	138	143	9617LEDW	24
3x3W	600	480	4000-4300	dark grey	44	138	143	9618LEDW	24
2x3W	520	380	4000-4300	dark grey	44	138	143	9619LEDW	24

Energy efficiency



Barcodes

Barcode	Catalogue number
3800131186478	9617LEDW
3800131186485	9618LEDW
3800131186492	9619LEDW

Standards

EN 55015

EN 61000-3-2; EN 61000-3-3

EN 61547

EN 60598-1; EN 60598-2-2

